



Second Revision No. 1-NFPA 289-2022 [Section No. 5.5.1]

5.5.1*

To investigate the effect of fire-retardant treatments on natural Christmas trees, the procedure to be followed shall be as stated in 5.5.2 through 5.5.5, after conditioning in accordance with 5.5.6.

A.5.5.1

ASTM E3082, *Standard Test Methods for Determining the Effectiveness of Fire Retardant Treatments for Natural Christmas Trees*, is an alternate fire test method for assessing the effect of fire-retardant treatments on natural Christmas trees.

Submitter Information Verification

Committee: FIZ-AAA

Submittal Date: Wed Mar 23 10:02:32 EDT 2022

Committee Statement

Committee Statement: This adds relevant annex information.

Response Message: SR-1-NFPA 289-2022

Public Comment No. 2-NFPA 289-2021 [Section No. 5.5.1]

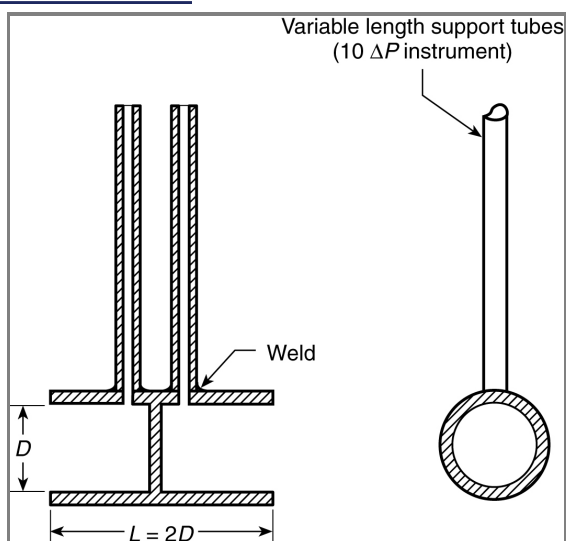


Second Revision No. 3-NFPA 289-2022 [Section No. 7.4.2.1.2]

7.4.2.1.2

A typical probe, as shown in Figure 7.4.2.1.2, shall consist of a stainless steel cylinder that is $44 \text{ mm} \pm 1 \text{ mm}$ ($1.75 \text{ in.} \pm 0.040 \text{ in.}$) long and $22 \text{ mm} \pm 1 \text{ mm}$ ($0.875 \text{ in.} \pm 0.040 \text{ in.}$) inside diameter with length L , inside diameter D , and a solid diaphragm in the center.

Figure 7.4.2.1.2 Bidirectional Probe.



Submitter Information Verification

Committee: FIZ-AAA

Submittal Date: Wed Mar 23 10:06:11 EDT 2022

Committee Statement

Committee Statement: Adding a bidirectional probe figure as is shown in other FIZ documents to this section. The same figure was revised in multiple documents this cycle. This is related to CI-2.

Response Message: SR-3-NFPA 289-2022



Second Revision No. 2-NFPA 289-2022 [Section No. C.1.2.2]

C.1.2.2 ICC Publications.

International Code Council, 500 New Jersey Avenue, NW, 6th Floor, Washington, DC 20001.

International Building Code (IBC), 2021-2024 .

International Fire Code (IFC), 2021-2024 .

Submitter Information Verification

Committee: FIZ-AAA

Submittal Date: Wed Mar 23 10:03:47 EDT 2022

Committee Statement

Committee Statement: Update to referenced standards.

Response Message: SR-2-NFPA 289-2022

Public Comment No. 1-NFPA 289-2021 [Section No. C.1.2.2]